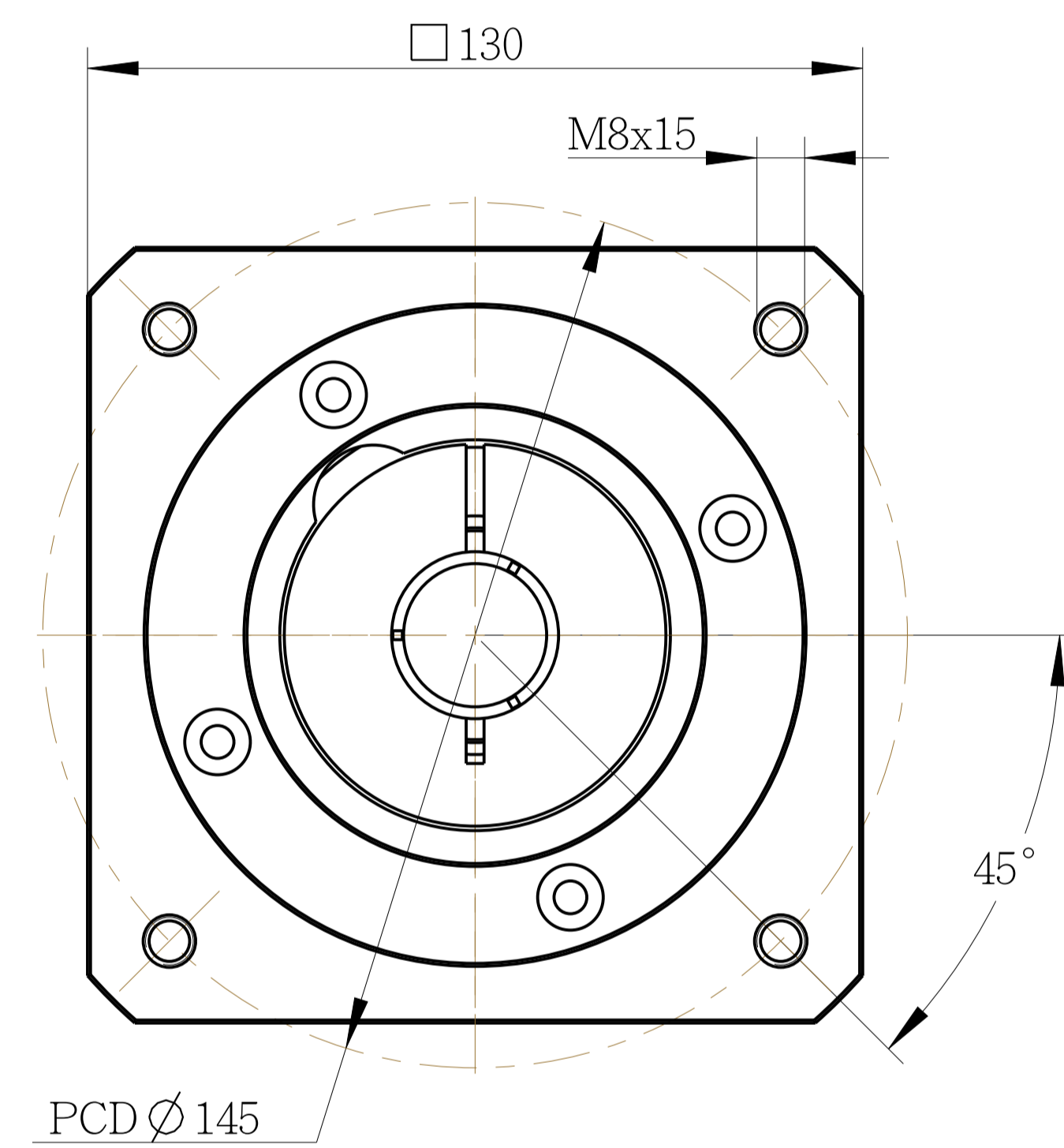
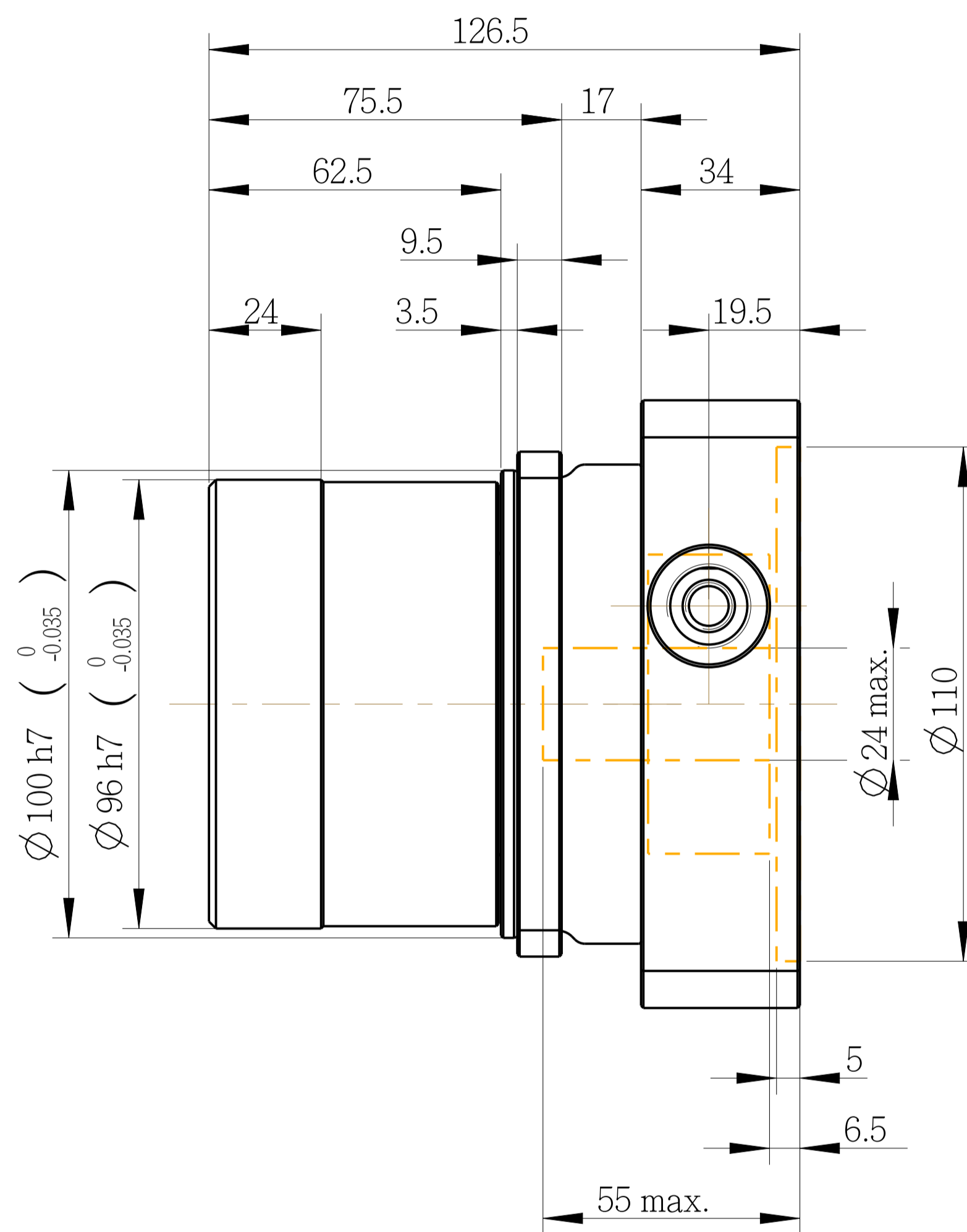
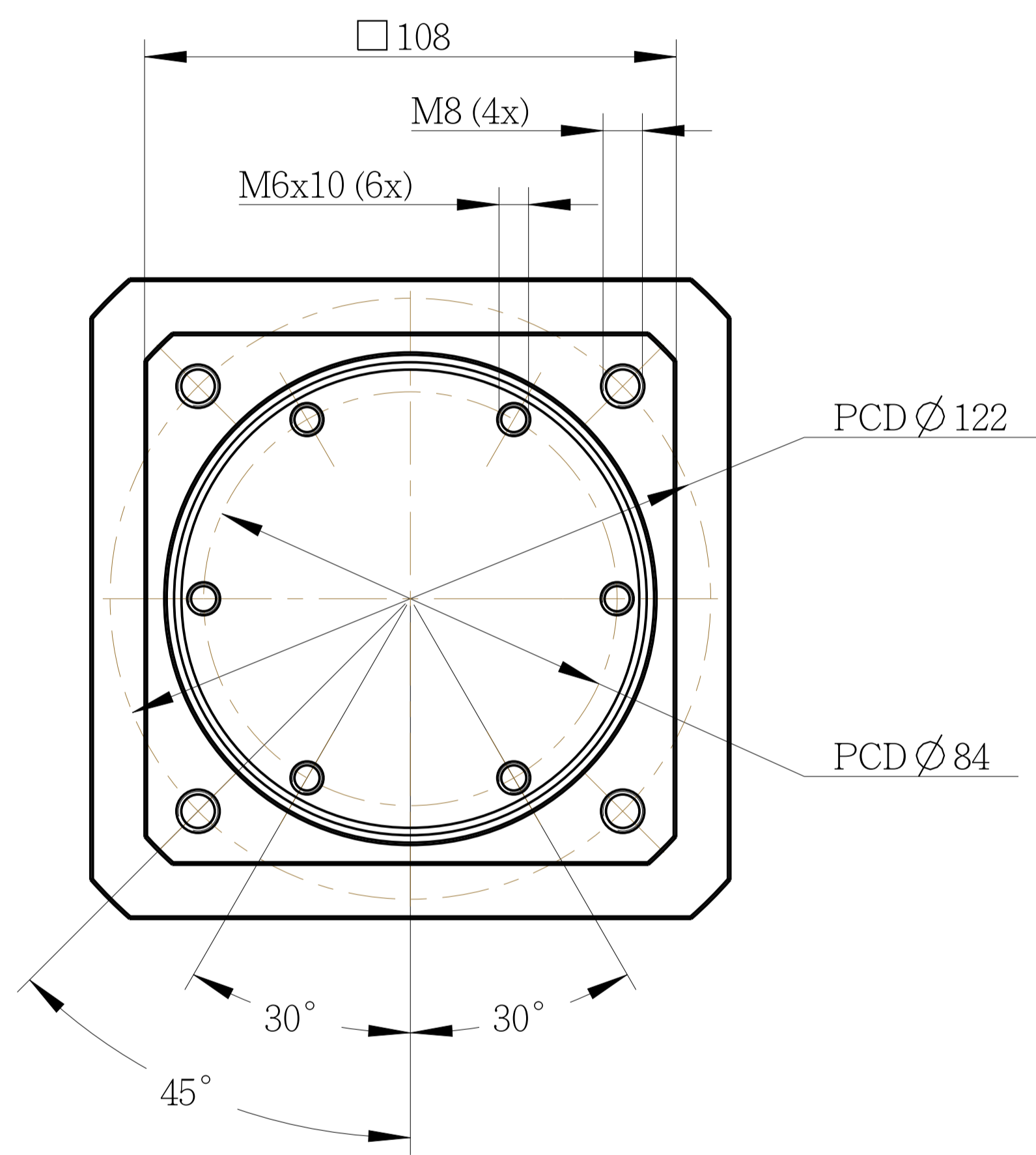

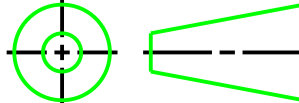


GL100-002 / MITSUBISHI HG-SR102



PART NO. GL100_1ST_24-P0409511808 AD-AD2-S24-2-M130-8		 APEX DYNAMICS, INC.		
APPROVALS	DATE	TITLE GL100 1STAGE S24 AND MOTOR FLANGE MOUNTING		
DRAWN Nadia		DWG NO. GL100_1ST_24-P0409511808		
CHECKED				
APPROVED			SIZE A1	SCALE 1:1
				REV