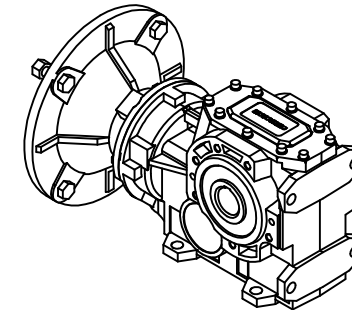


REDUCER SPEC	
MODEL	B063
SERVICE FACTOR	1.9
RATIO	28.03
OUTPUT [rpm]	62.4
OUTPUT TORQUE [Nm]	303
WEIGHT [kg]	25.9

MOTOR SPEC	
MODEL	TPA/112MR-220/380V
POWER [kW]	2.2
POLE, PHASE	4P, 3PHASE
INPUT [rpm]	1750
BRAKE	NO
WEIGHT [kg]	32



PROJECT		MOTOVARIO					
DRAWN	SED Y.S	DATE		REV	A	SCALE	1:1
CHECKED	KIM J.S	DATE		UNIT	MM	PAGE	-
APPROVED	LEE J.Y	DATE		