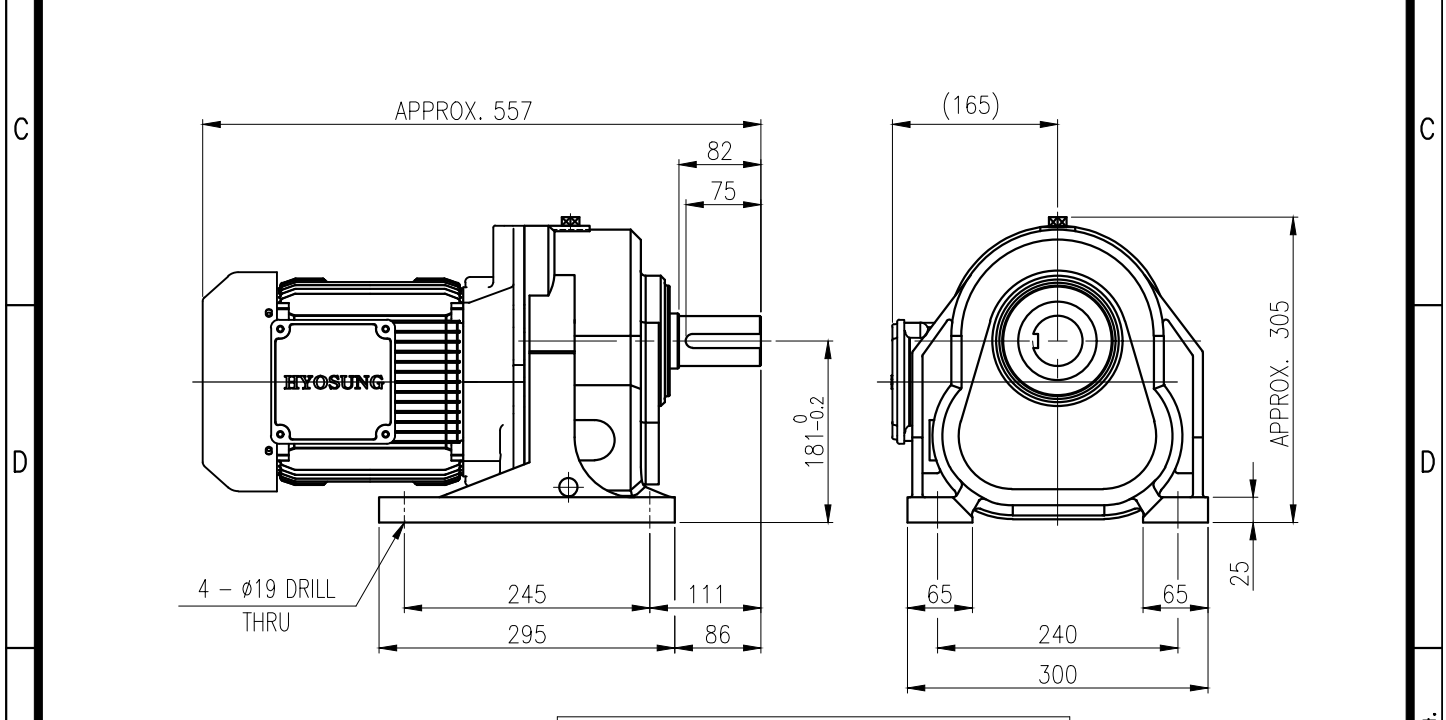
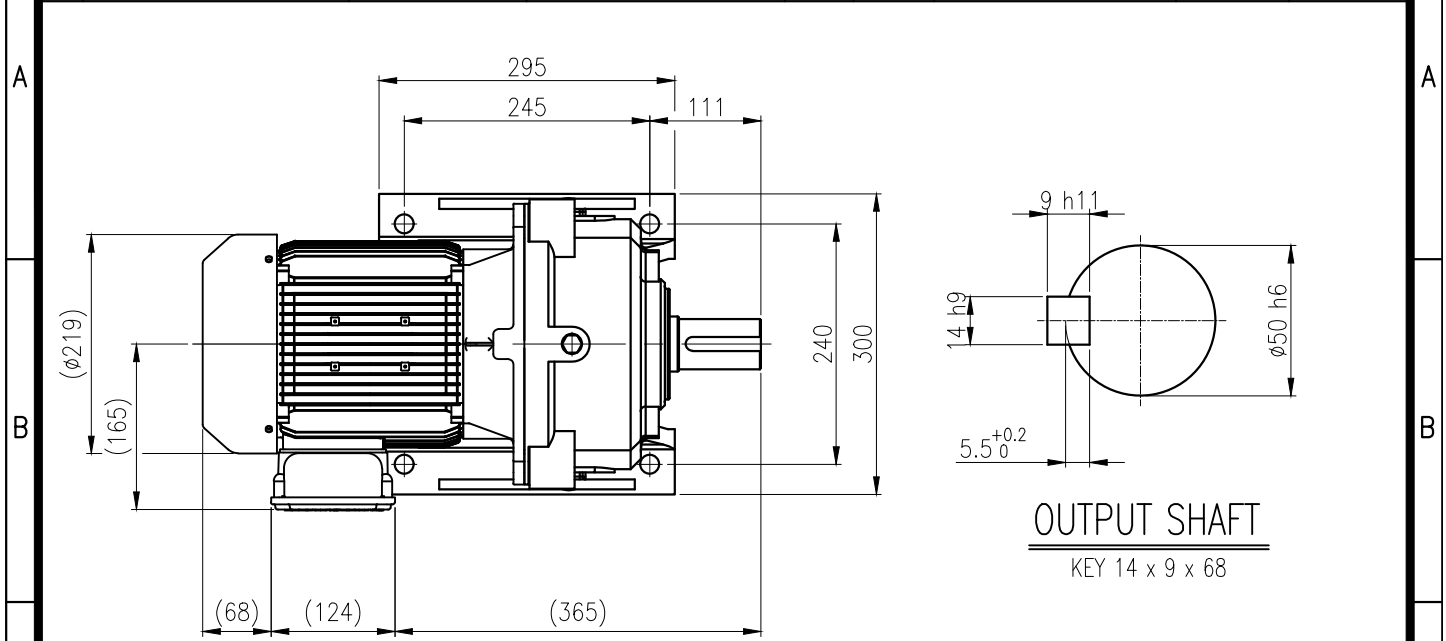


	1	2	3	4	5
No.	NAME	MATERIAL	DWG/MATL No.	CODE	Q'TY
					0
				SIZE	WEIGHT
					REMARK



		BEARING		
		INPUT SHAFT	6205ZZ 6207ZZ	
	OIL SEAL	2ND PINION	6204ZZ 6203ZZ	GREASE : NLGI(EP)00
	MOTOR SHAFT	D(M) 35 x 47 x 7	3RD PINION	6206ZZ 6307ZZ
	OUTPUT SHAFT	D(M) 55 x 78 x 12	OUTPUT SHAFT	PM3530 22211
				ABOUT 1.0 kg
				WEIGHT 77 kg

		DWG NAME				외형도	
						OUTLINE DIMENSION	
		DWG No.				UNIT	mm
		E K2D0100756H0001				SCALE	1:1
No.	DATE	DESCRIPTION of REVISION				DESIGNED	CHECKED
						REVIEWED	APPROVED
						DATE	2024-02-02
A4(210x297mm)		FORM				REVISION No.	
CE-14-0100-444		2013.11.20				00	
HYOSUNG HEAVY INDUSTRIES		KIM.S.M KIM.S.M JUNG.S.S JUNG.C.S				THIRD ANGLE PROJECTION	
TYPE		F1HA_18_2.2W_40~100:1_프리미엄				REF. No.	
						(EK2D007669H0001)	
						(A)	

The information written in this drawing is HYOSUNG HEAVY INDUSTRIES's property, and may not be disclosed and/or reproduced without the prior official permission of HYOSUNG HEAVY INDUSTRIES Corp.

이 도면상에 표시된 정보는 표상용(단)의 소유이며 영사의 사전 서면동의 없이 무단사용을 금합니다.